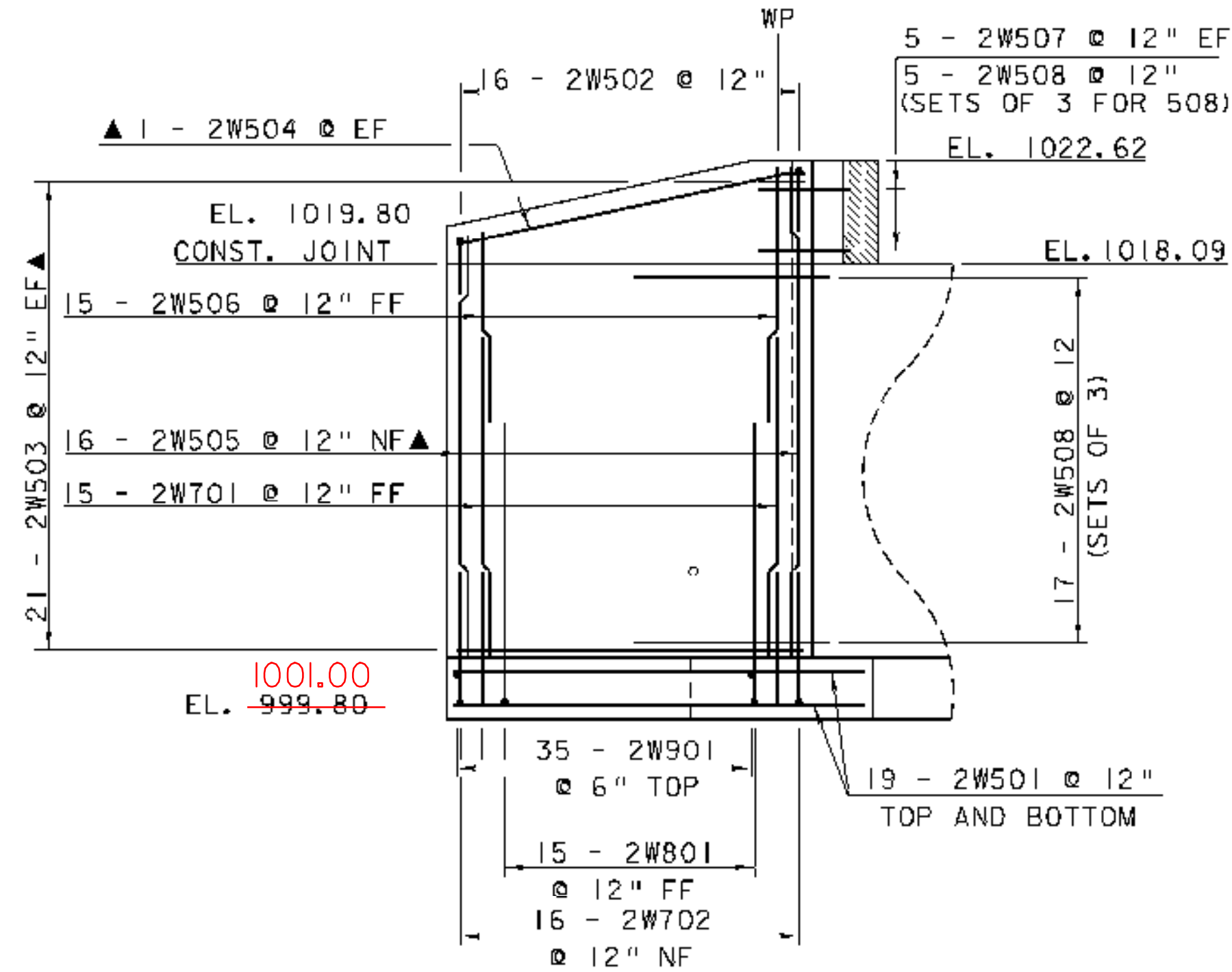


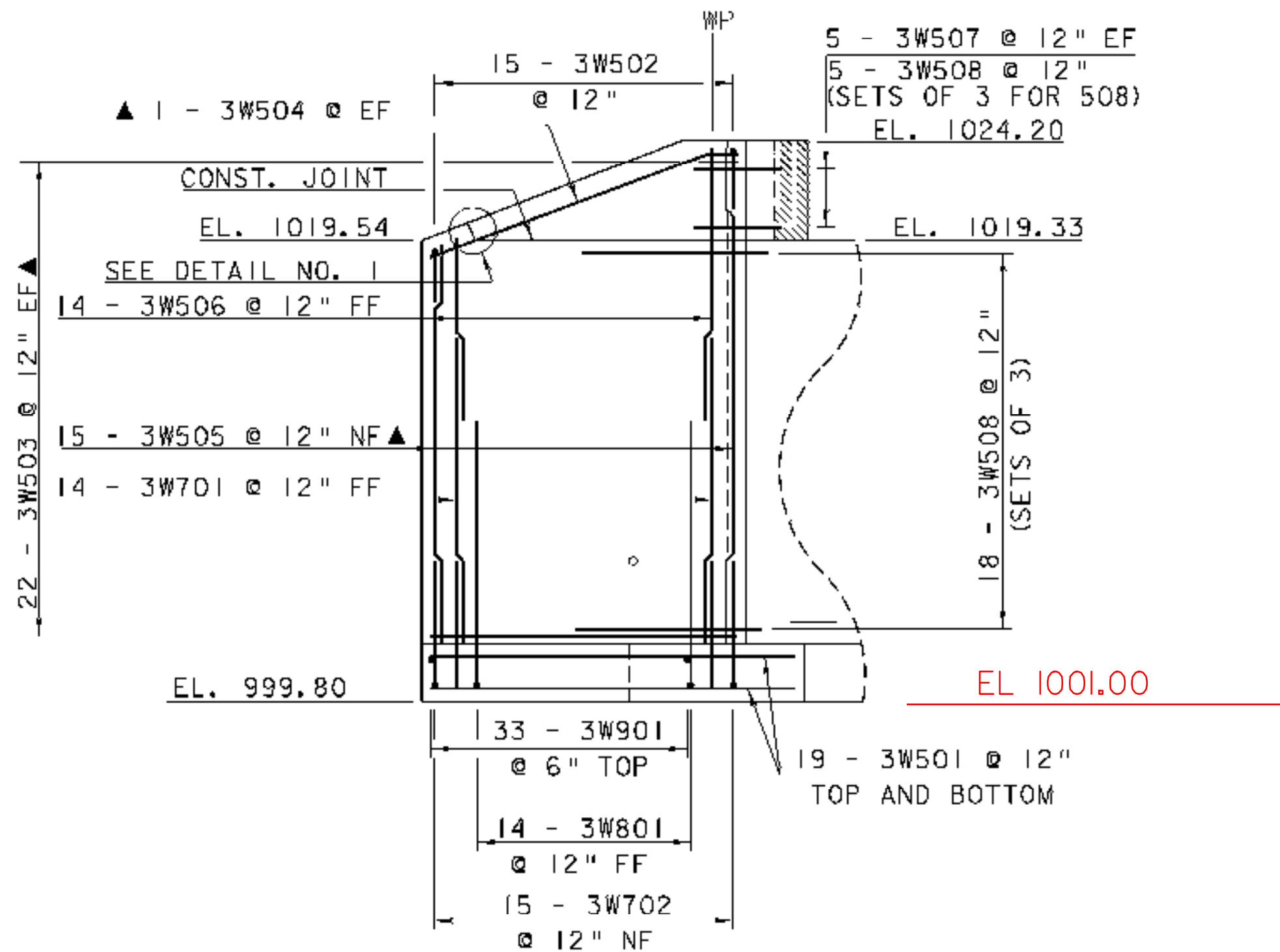
WINGWALL NO. 1 ELEVATION

SCALE 3/16" = 1'-0"
1 0 2 4 6 8



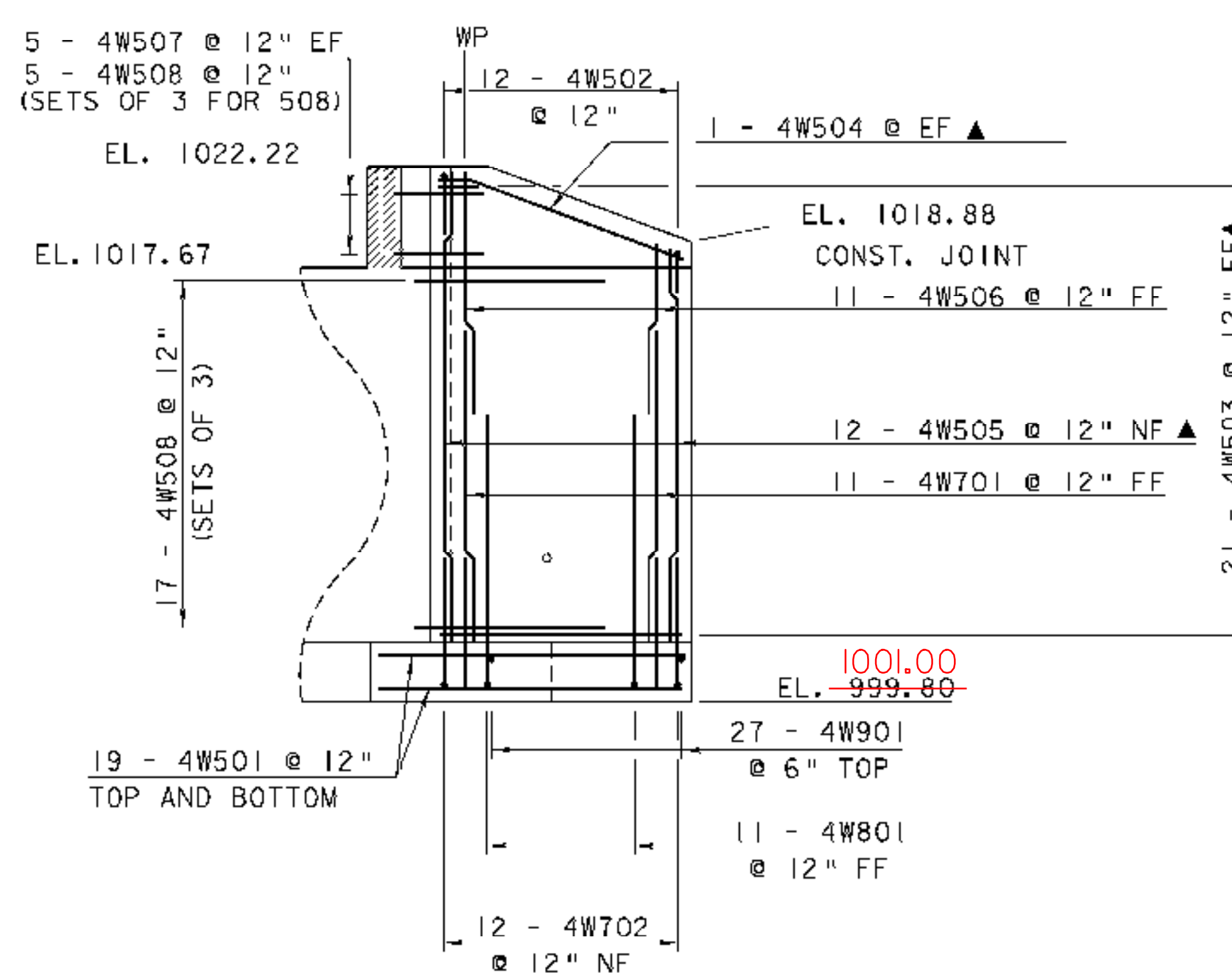
WINGWALL NO. 2 ELEVATION

SCALE 3/16" = 1'-0"
1 0 2 4 6 8



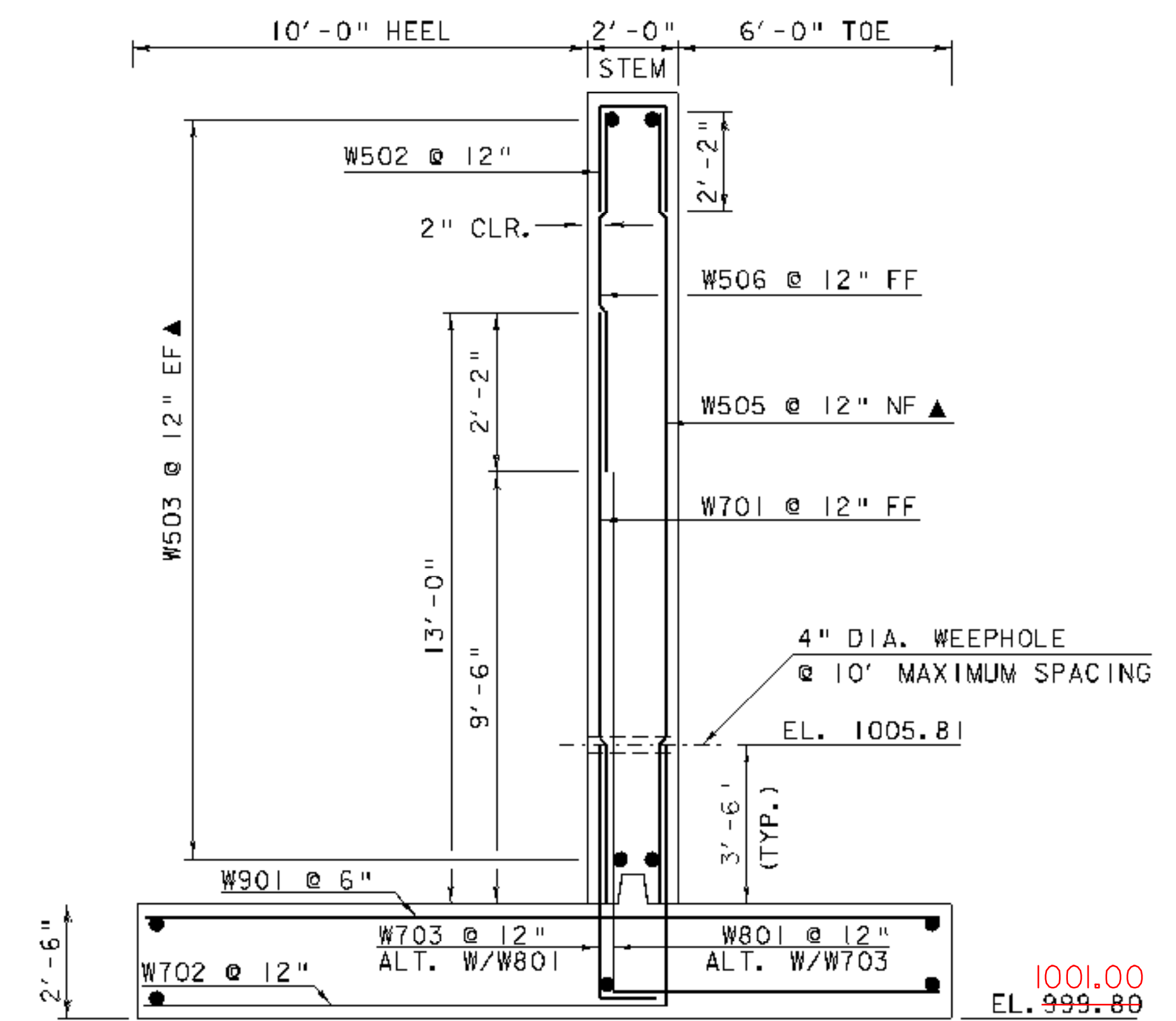
WINGWALL NO. 3 ELEVATION

SCALE 3/16" = 1'-0"
1 0 2 4 6 8



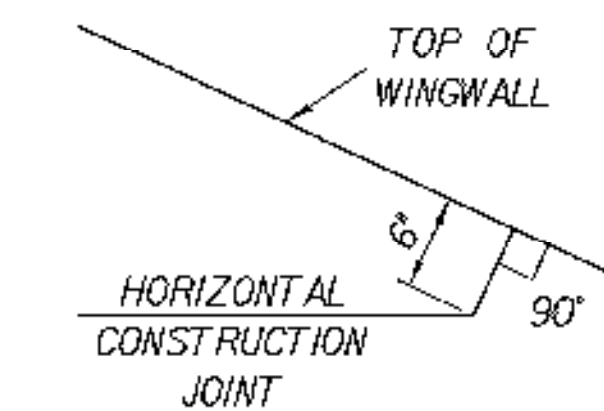
WINGWALL NO. 4 ELEVATION

SCALE 3/16" = 1'-0"
1 0 2 4 6 8



WINGWALL TYPICAL

SCALE 3/8" = 1'-0"
1 0 1 2 3 4



DETAIL NO. 1
NOT TO SCALE

NOTE:

- NF = NFAR FACE
- FF = FAR FACE
- EI = EACH FACE
- ▲ = CUT TO FIT IN FIELD
- 3" CLEAR, UNLESS OTHERWISE SPECIFIED ON THE PLANS.
- 2'-2" BAR LAP UNLESS OTHERWISE SPECIFIED ON THE PLANS.

WINGWALL DETAILS

PROJECT NAME: CANAAN
PROJECT NUMBER: ER ST 0271(16)

FILE NAME: 04c098/struc./s04c098sup PLOT DATE: 18-AUG-2008
PROJECT LEADER: M. EVANS-MONGEON DRAWN BY: C. JOLLY
DESIGNED BY: S. SCRIBNER CHECKED BY: S. SCRIBNER
SHEET 47 OF 66